

**Part NO.: 3611 AX / BX - XX**

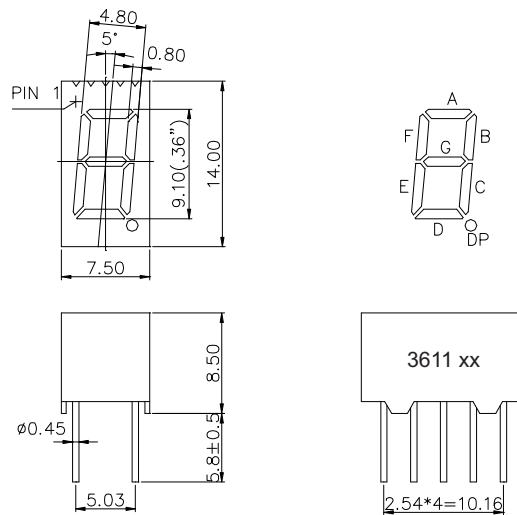
## DESCRIPTION

- 9.10mm (0.36") Single Digit Numeric Display Series
- Standard Brightness
- Low Current Operation
- Excellent Character Appearance
- Easy Mounting on PC Boards or Sockets

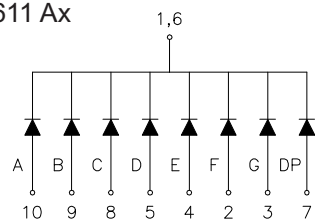


## Package Dimensions & Internal Circuit Diagram

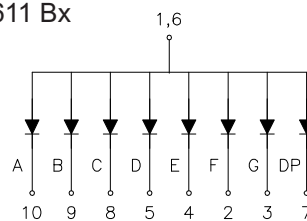
### 3611 Series



3611 Ax



3611 Bx



**Notes:**

All dimensions are in millimeters (inches)  
 Tolerance is  $\pm 0.25$  (0.01") unless otherwise noted.  
 Specifications are subject to change without prior notice.

**Absolute Maximum Ratings ( Ta = 25°C )**

Parameter	Symbol	Test Condition	Value		Unit
			Min	Max	
Reverse Voltage	$V_R$	$I_R = 30 \mu A$	5	-----	V
Forward Current	$I_f$	-----	-----	20	mA
Power Dissipation	$P_d$	-----	-----	100	mW
Pulse Current	$I_{peak}$	Duty = 0.1ms, 1KHz	-----	150	mA
Operating Temperature	$T_{opr}$	-----	- 40	+85	°C
Storage Temperature	$T_{str}$	-----	- 40	+85	°C

XX :Surface / Epoxy Color :

<b>Surface Color</b> Number	White 0	Black 1	Gray 2	Red 3	4	5
<b>Epoxy Color</b> Number	White Diffused 0	Red Diffused 1	Green Diffused 2	Yellow Diffused 3	Blue Diffused 4	Water Clear 5